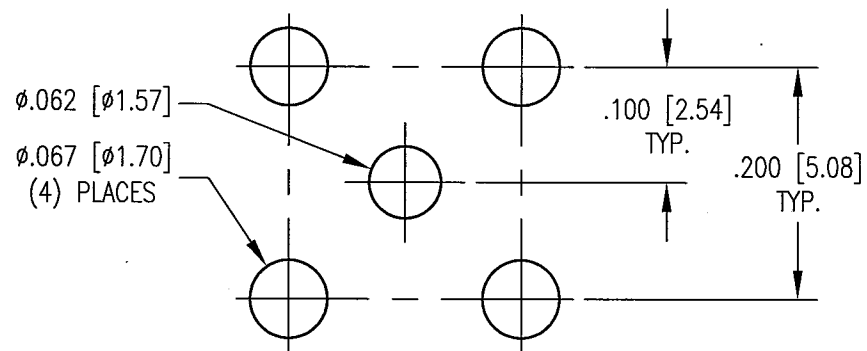
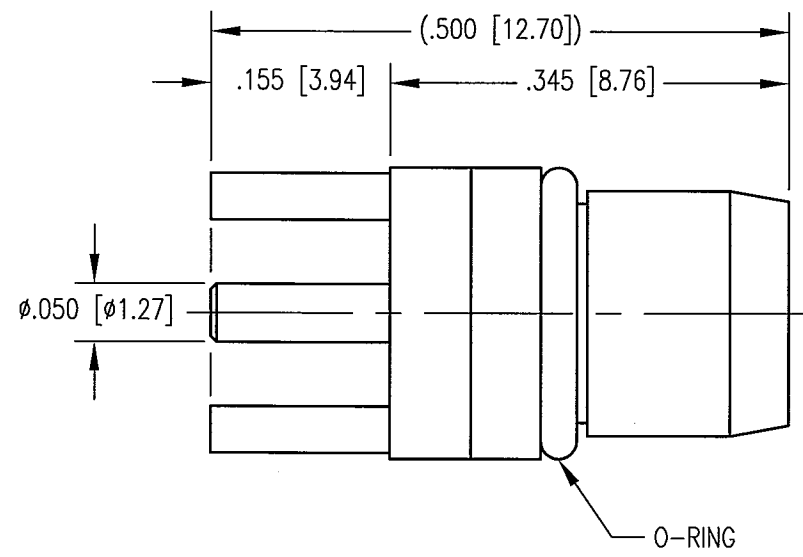
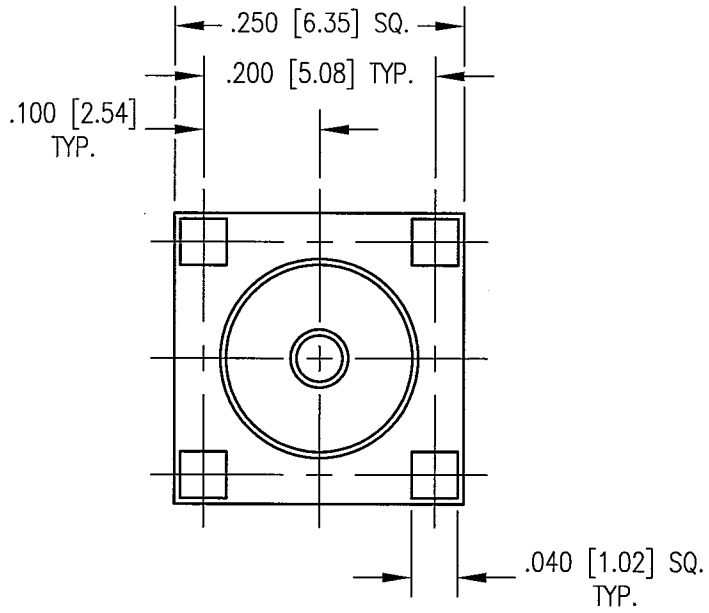


REV	DESCRIPTION	BY	DATE	APPRO
A	RELEASED PER ECR 7405	JED	1/10/02	JEM



RECOMMENDED MOUNTING HOLE

NOTES:

- MATERIALS:  
 BODY AND CENTER CONTACT: BRASS PER ASTM B16  
 INSULATOR: TEFLON PER ASTM D1710  
 O-RING: SILICONE RUBBER PER ZZ-R-765
- FINISH:  
 CENTER CONTACT: .000030 MIN. GOLD PER MIL-G-45204 OVER  
 .000050 MIN. NICKEL PER QQ-N-290  
 BODY: .000015 MIN. GOLD PER MIL-G-45204 OVER  
 .000050 MIN. NICKEL PER QQ-N-290

PER ASME Y14.5M-1994 UNLESS OTHERWISE SPECIFIED: DIMENSIONS ARE IN INCHES (MM) TOLERANCES: DECIMALS .XX ± .01 [0.254] .XXX ± .005 [0.127] ANGLES ± 2°		<b>NORTHROP GRUMMAN</b>  Winchester Electronics 400 Park Road Watertown, CT 06795	
<b>CUSTOMER DRAWING</b>		TITLE <b>BMA STRAIGHT PCB MOUNT PLUG</b>	
DRAWN JED	DATE 1/10/02	CHECKED JWH	DATE 1/11/02
APPROVED JEM	DATE 1/11/02	APPROVED KJT	DATE 1/11/02
A		360-060-0040H	SHT. OF REV. 1 OF 1 A